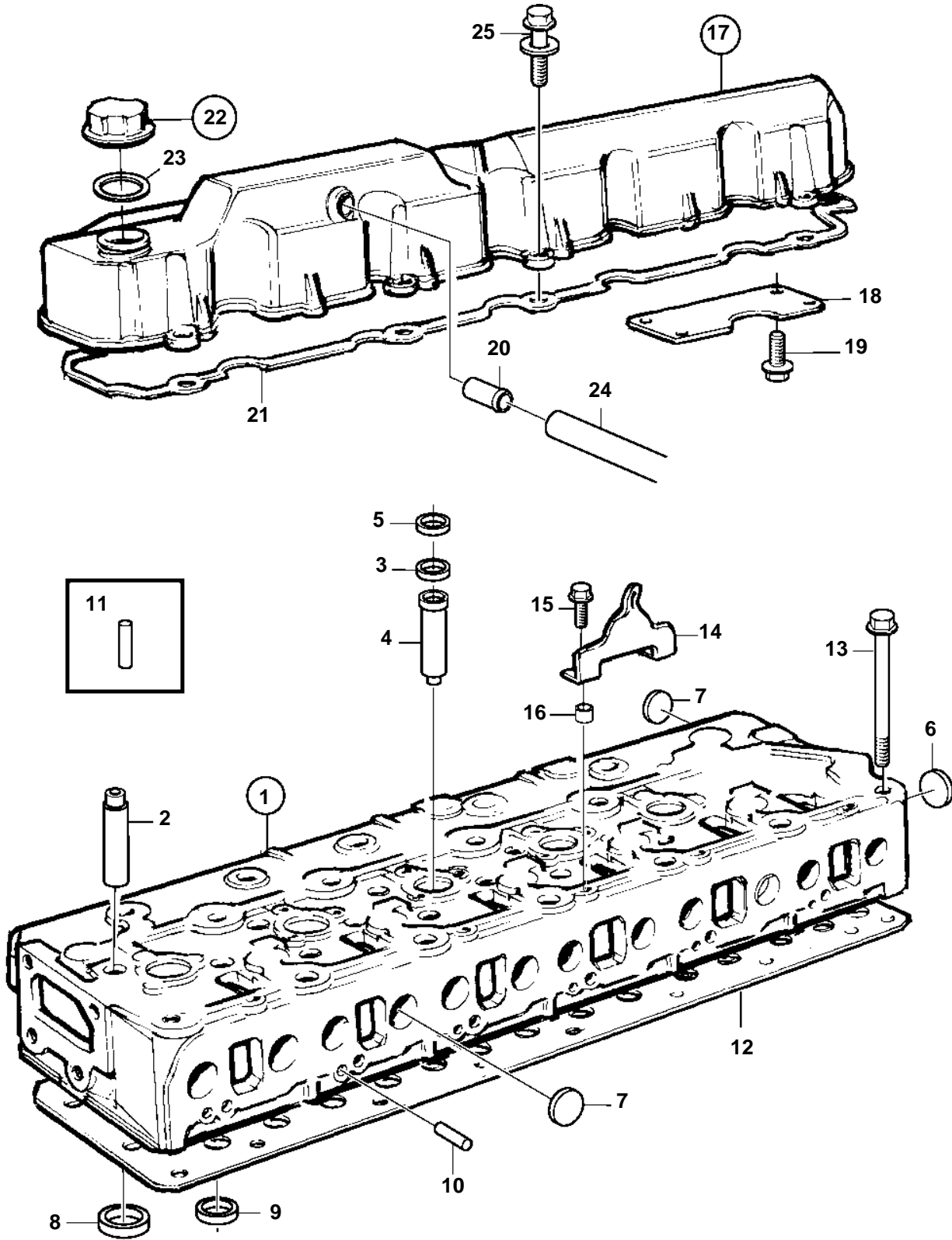


KAMD300-A, KAD300-A



KAMD300-A, KAD300-A

REF	PART NO.	QTY	DESCRIPTION	SEE SEC.	NOTES
1	3583105	1	Cylinder head		
	3803543	1	Cylinder head, exch		Exchange unit
2	3580892	24	· Valve guide		
3	3580746	6	· Sealing ring		
4	861688	6	· Sleeve		
5	3580745	6	· Retainer		
6	968955	1	· Expansion plug		
7	477026	13	· Expansion plug		
8	3580888	12	· Valve seat, exhaust		STD
	3580889	12	· Valve seat, exhaust		OVER SIZE 0,20mm
9	3580890	12	· Valve seat, inlet		STD
	3580891	12	· Valve seat, inlet		OVER SIZE 0,20mm
10	19730	6	· Locating pin		
11	861714	12	· Locating pin	2983	
12	3583786	1	Gasket		(3582433)
13	838775	27	Screw		
14		2	Lifting eye		
15	946671	4	Flange screw		
16	843075	4	Sleeve		
17	3581782	1	Valve cover, with gasket		(3581784)
18		1	· Cover		
19		4	· Flange screw		
20		1	· Connector		
21	877076	1	· Gasket kit		(861718)
22	1275403	1	Oil filler cap		
23	1275379	1	· Gasket		
24	3581202	1	Hose	3402	
25	969340	8	Screw, with washer		